

## An Exhibition of Small Works

Members are invited to enter their recent work to be shown in the Long Gallery. This is an exhibition for the Friends of the Hatton Gallery only, but you can join by simply paying the appropriate membership fee indicated on the Entry Form.

The following **two-dimensional media** are acceptable - original prints, painting, drawing, photography, but not photographs of your artwork.

### GENERAL

Work submitted must not have been exhibited in previous Friends' Exhibitions. Work must be original - commercial multiple reproductions will not be accepted. In order to maintain the gallery's high standard, any work poorly presented will not be accepted. Space limitation means that works must not exceed 30 cm in any direction - this includes the frame.

### CONDITIONS

You may submit three works.

1 The Handling Fees are £10.

2 Full-time students who are members of the Friends may enter free.

Full-time students who are not members of the Friends will be charged a handling fee of £5.

3 The Handling Fees are for one to three works.

4 Selection of works will be carried out by a panel of judges and their decision will be final. The committee therefore cannot enter into any correspondence or discussion regarding selection criteria or the reasons for the non-selection of work.

5 The deadline for the return of Entry Forms and fees is **Monday 12<sup>th</sup> June 2017**.

Please send your completed forms to:-

**Vhairi Cardinal, 6 Beverley Park, Monkseaton, Whitley Bay, Tyne & Wear, NE25 8JL**

Complete your entry form accurately using block capitals and note that the information you give will be used for the descriptive labels displayed beside your work.

6 Your work must be delivered to the Hatton Gallery on:-

**Monday 26<sup>th</sup> June 2017 between 10.30am and 2.30pm.**

We will ring you if any of your work is not selected, therefore please ensure that there is a daytime contact telephone number on your entry form.

7 All works not selected must be removed from the Gallery on:-

**Tuesday 27<sup>th</sup> June 2017 between 10.30am and 2.30pm.**

8 Please note that, although this is not primarily a selling exhibition, you may offer your work for sale. We would prefer works that are sold to remain in place until the end of the exhibition but would not deny any purchaser the right to remove a work.

9 The minimum price to be charged for a work is £45

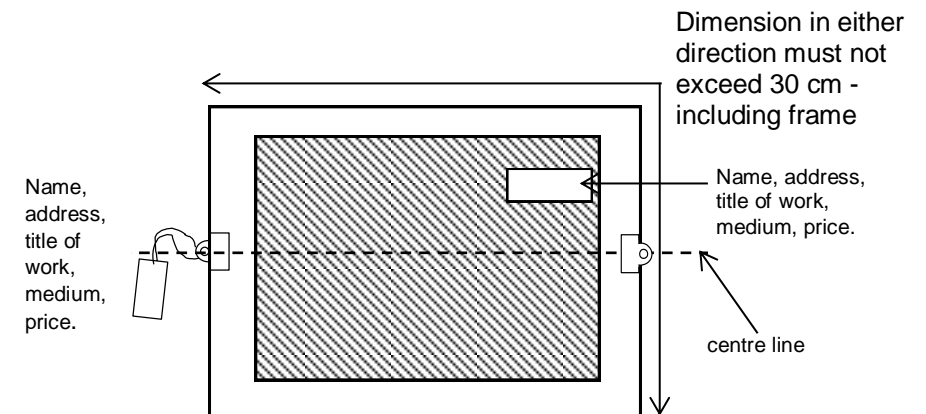
10 At the end of the exhibition works must be removed from the Gallery on:-

**Saturday 29 July 2017 between 10.30am and 2.30pm.**

### YOUR WORK

11 Work must be mirror plated for hanging, as in the diagram below.

Please ensure that the plates are vertically centred. A label with your name, address, title of work, medium and price (or not for sale) must be attached to the back of each work. Also attach a luggage label with the same information to the side of your work so that it hangs clear.



12 When pricing your work please take into account the Gallery commission of 20%. In addition VAT of 20% will be charged on the commission.

**The Gallery has no storage facilities. The Hatton Gallery, and the Friends of the Hatton Gallery accept no liability for loss or damage. Therefore artists are advised to insure their work.**

