

YOUR COPY OF THE ENTRY FORM



Friends of the Hatton Gallery

Christmas Exhibition of Small Works

Friday 6th December until Sunday 5th January 2014

Held in the Galleria of the Great North Museum: Hancock

Official Opening Friday 6th December in the Galleria

4.00 until 5.00pm, followed by a Reception in the

Seminar Room at the Hatton Gallery 5.00 until 7.00pm.

1

Title	
Medium	
Size	Price/Not for sale

2

Title	
Medium	
Size	Price/Not for sale

3

Title	
Medium	
Size	Price/Not for sale



THE FRIENDS OF THE HATTON GALLERY

A charity created to support the Hatton Gallery

Registered Charity No 1089739

Your Entry Form and Conditions of Entry

Christmas Exhibition of Small Works

The Friends of the Hatton Gallery, and non-members, are invited to enter their recent work for exhibition. The following are acceptable:- original prints, painting, drawing, sculpture, ceramics, textile, photography. There are no facilities for freestanding work, all work must be fixed to the wall.

GENERAL

Work submitted must not have been exhibited in previous Friends' Exhibitions. Work must be original - commercial multiple reproductions **will not be accepted**. In order to maintain the gallery's high standard any work poorly presented **will not be accepted**.

No flat work should be more than 35cm in both directions, including frame

CONDITIONS

You may submit three works.

1 The Handling Fees are £10 for members, £15 for non-members.

2 Full-time students who are members of the Friends may enter free.

Full-time students who are not members of the Friends will be charged a handling fee of £5.

3 The Handling Fees are for one to three works.

4 The minimum price to be charged for a work is £45

5 Selection of works will be carried out by a panel of judges and their decision will be final. The committee therefore cannot enter into any correspondence or discussion regarding selection criteria or the reasons for the non-selection of work.

6 The deadline for the return of Entry Forms and fees is **Tuesday 19th November 2013**.

Please send your completed forms to:-

Alysia Trackim, 42 Warkworth Avenue, Whitley Bay, Tyne & Wear, NE26 3PS

Complete your entry form accurately using **block capitals** and note that the information you give will be used for the descriptive labels displayed beside your work.

7 Your work must be delivered to the Explore Gallery in the Great North Museum:Hancock on:-

Wednesday 4th December between 10.30am and 2.30pm.

We will ring you if any of your work is not selected, therefore please ensure that there is a daytime contact telephone number on your entry form.

8 All works not selected must be removed from the Gallery on:-

Thursday 5th December between 10.30am and 2.30pm.

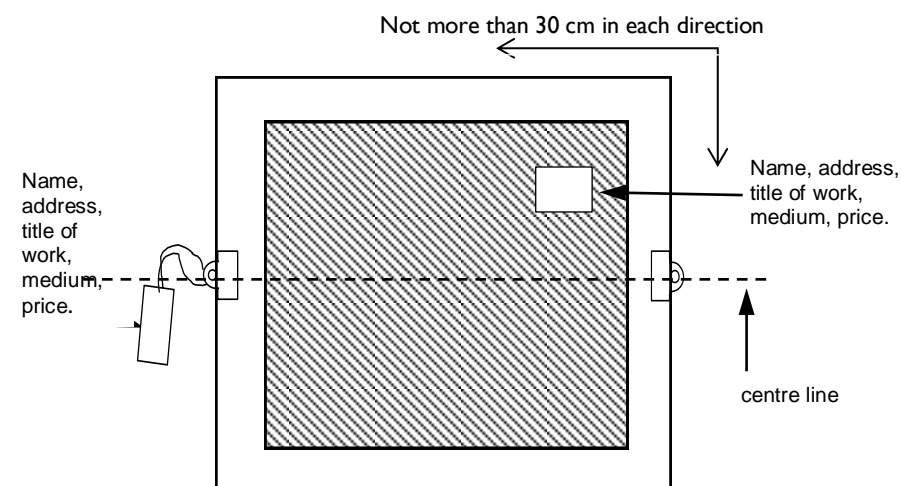
9 Please note that although this is not primarily a selling exhibition you may offer your work for sale. It is important to all exhibitors that the standard of the exhibition's presentation is maintained, therefore work sold will remain on display until the end of the Exhibition. Only in the most exceptional case would the work be removed before the closing date.

10 At the end of the exhibition works must be removed from the Gallery on:-

Monday 6th January 2014 between 10.30am and 2.30pm.

YOUR WORK

11 Work must be mirror plated for hanging, as in the diagram below. Please ensure that the plates are vertically centred. Plates must be screwed to the frame. A label with your name, address, title of work, medium and price (or not for sale) must be attached to the back of each work. Also attach a luggage label with the same information to the side of your work so that it hangs clear.



12 In pricing your work please take into account the Gallery Commission of 20%. In addition VAT of 20% will be charged on the commission.

The Gallery has no storage facilities. The Hatton Gallery, and the Friends of the Hatton Gallery accept no liability for loss or damage. Therefore artists are advised to insure their work.